

2000 Series

UK User Manual Accessories Warranty Registration



Made in Great Britain

Your Ebac Dehumidifier has been specifically designed to cope with Britain's unique and unsettled climate by Europe's No.1 manufacture of dehumidifier

Here at Ebac, we love hearing
what our customers think of our
products!

How did we do? Review us

on  Trustpilot

You can leave a review @
www.trustpilot.com/www.ebac.com

Introduction

The first time you plug in your new Ebac dehumidifier, you'll begin to realise the difference it will make to your home. You'll be amazed at just how much water this quiet, yet powerful unit extracts and stores in its container. It'll get you thinking where it all comes from and where it's been going all these years.

Your Ebac dehumidifier is designed to cope with everything you do that adds moisture. Everything from showering to washing up, boiling a kettle to breathing – they all add moisture to the air.

This brochure will help you get the very best out of your Ebac and not only protect your home from the damaging effects of condensation and damp, but also improve the quality of your air.

During installation and maintenance, respect the precautions indicated in the manual, and on the labels applied inside the units, as well as all the precautions suggested by good sense and by the safety regulations in effect in your country.

It's surprising what an Ebac can do for your home

There's a lot more to your Ebac dehumidifier than preventing damp and condensation damage. It could actually improve your health.

Damp conditions provide the ideal breeding ground for dust mites. So, if you suffer from an allergy or asthma aggravated by dust mites, lower humidity levels may help. Also, sufferers of arthritis, bronchitis and rheumatism may also find relief from drier, warmer air.

Economy-wise, your Ebac dehumidifier costs 2p per hour to run however with Smart Control this falls to about 1p per hour elapsed. It can even lower your heating bills, as moist air absorbs heat.

Once your condensation problem is under control, your dehumidifier will extract from 1 to 2.5 litres of water per day.

Important

Your Ebac 2000 is packed in a plastic wrapping; please ensure that it is disposed of safely where it will not be a danger to children.

Before operation

1. Stand your dehumidifier upright for at least 2 hours prior to operating.
2. Open the water container door, remove the water container - replace and close the door. This will reset the sensors which may have been activated during transit.

This appliance can be used by children aged from 8 years and above and persons with reduced physical, sensory or mental capabilities or lack of experience and knowledge if they have been given supervision or instruction concerning use of the appliance in a safe way and understand the hazards involved. Children shall not play with the appliance. Cleaning and user maintenance shall not be made by children without supervision.

Getting the most from your Ebac 2000

1. It is preferable to leave the unit on standby 24 hours a day even if it is not running. This enables the Smart Control system to keep monitoring your home.
2. Ensure internal doors are kept ajar where possible to allow air circulation.
3. Ensure external doors and windows are kept closed as much as possible. This also saves wasting heat from your home.
4. Ensure the unit is positioned on a flat, even surface.

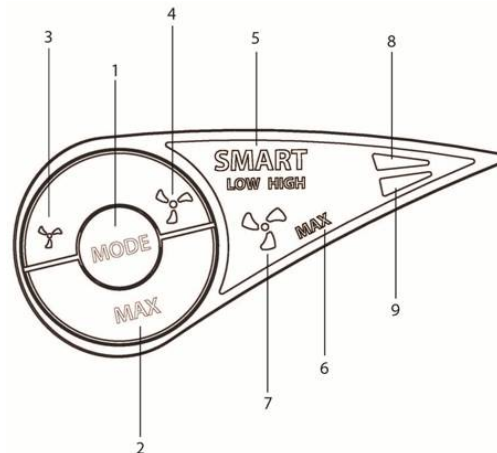
Positioning your Ebac 2000

Your dehumidifier should be positioned as near as is practical to condensation or dampness. The dehumidifier will perform better in the coldest parts of your home and should not be close to a radiator or other heat source.

Setting the controls

CONTROL PANEL

1. Mode Button
2. Max Continuous/8 Hour Run
3. Low/Quiet Fan Speed
4. Full Fan Speed
5. Smart Control Indicator
6. Continuous Run Indicator
7. Fan Speed and Air Cleaning Indicator
8. Amber Standby/Green Run
9. Red Container Full Indicator



Smart Control

Your dehumidifier is fitted with a patented intelligent Smart Control System. We recommend that all customers use the intelligent system, which automatically adjusts the running pattern of your Ebac according to changes in the weather and your lifestyle.

To activate Smart

To activate Smart Control, press the mode button(1) until SMART HIGH(5) is displayed on the control panel. The unit should start in this mode automatically when connected to the mains. The unit will now automatically adjust itself to work at the times needed to maintain the ideal conditions for your home. It normally takes 2-4 weeks to get the humidity in your home under control. Once signs of excess moisture have gone we would recommend that you switch to a lower setting by pressing the mode button(1) until SMART LOW(5) is displayed on the control panel. The unit will still work using Smart Control but for less time each day.

Every home is different and it is worth trying your unit on SMART LOW(5) which has lower running costs. There may be times when you need SMART HIGH(5) or even MAX(2) running because you are producing more excess moisture or outside conditions have worsened.

NOTE: SMART LOW(5) mode may not be suitable for all homes and /or at certain times of the year. If signs of excess humidity return switch off SMART LOW(5) by pressing the mode button(1) until the control panel shows SMART HIGH(5).

Fan speed control

Adjusting the fan speed

You may wish to change the fan speed of your Ebac from time to time. Using the Full Fan Speed Control Panel(4) will remove more moisture from the air compared to the Low/Quiet Control Panel(3) thereby improving efficiency. When switched on, your dehumidifier will default to fan speed setting A.

Pressing the Full Fan speed button(4) will scroll through the settings below.

Setting Function

- | | |
|---|-------------------------------------------------------------------------------|
| A | Low/Quiet setting - fan illuminated in green moving at low speed(7) |
| B | Normal setting - fan illuminated in green moving at high speed(7) |
| C | Continuous Fan Mode Quiet - fan illuminated in amber moving at low speed(7) |
| D | Continuous Fan Mode Normal - fan illuminated in amber moving at high speed(7) |

The speed of the fan is indicated by the green fan symbol - the higher the setting the faster this symbol rotates.

Standby: When selected, the dehumidifier will not extract water. Pressing Low Fan Speed(3) will instruct the unit to go into Standby Mode. Depending on the current fan speed, you may need to press this several times until Standby Mode is indicated by the power -on light turning amber(8). By pressing the Full Fan Speed Button(4) the unit will return to fan speed setting A.

Air Cleaning (Continuous Fan Mode): When fitted with one of our high performance filters, your dehumidifier may also be used as an air cleaner. To do this, press the Full Fan Speed(4) until the fan symbol(7) turns amber. Pressing the Full Fan speed(4) again will increase the Fan speed for faster air filtration.

Max Continuous/8 hour Run(2): The Max Continuous/8 hour run(2) on your Dehumidifier allows the setting of Smart Control and fan speed to be overridden maximising water extraction from the air. This is ideal for laundry drying etc.

To use this function select max(2) on your dehumidifier (refer to relevant control diagram) until MAX(6) illuminates on the control panel, then select normal setting (fan speed B) on your dehumidifier. The unit will now run on maximum fan speed continuously until standby or Smart is reselected.

Pressing the max(2) button again will cause the MAX(6) symbol to flash. The unit will now run on maximum fan speed continuously for a period of 8 hours. After this time the unit will return to the settings you had prior to activation.

Emptying the water container

The red light on the control panel will illuminate when the container is full. When this occurs, water collection stops.



To empty, open the water container access door



The container can then be removed and emptied as shown

Replace the container back into the dehumidifier with the outlet on the left hand side and gently close the door.

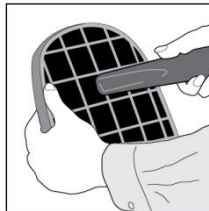
Cleaning the filter

Your Ebac 2000 Smart control has a filter to remove dust from the air.

This filter should be cleaned every month and replaced every 3 months. Failure to do this will reduce the performance of your dehumidifier and may over time lead to a permanent reduction in performance.



Remove the filter cartridge from the rear of the unit.



Clean the filter using a vacuum cleaner on a low power. Replace the filter cartridge onto the rear panel.

Automatic defrost system

Your Ebac 2000 Smart Control will collect excess moisture either as condensed water or ice on the evaporator coil located behind the filter. Any accumulation of ice is cleared periodically automatically.

This maximises the efficiency of the unit at temperatures between 3°C (37 F) and 25°C (77 F). Above 25°C no defrost is required.

If your Ebac 2000 fails to operate

Always check the following list before requesting a repair service. Should a service call be requested and the fault is found to be detailed below, a charge may be incurred.

Power indicator light is not illuminated.

Check

1. The unit is switched on at the mains. If necessary test the socket by plugging in another appliance.
2. Check the fuse in the plug and if necessary replace with another fuse, (13 amps for 2650e and 2850e models). If you continue to have problems please see 'Requesting Service'.

Power indicator light is illuminated, but the unit is not collecting water.

Check

1. The water container may be full, empty the container.
2. The unit may have been set to standby mode - check the settings.
3. Ensure the water container is fitted. If you continue to have problems please see 'Requesting Service'.

Fan operates continuously.

Check

1. Check that the continuous fan operation is not selected. If you continue to have problems please see 'Requesting Service'.

Reduced water extraction.

Check

1. Water extraction will change from day to day however water removed will rarely be less than half a litre in 24 hours - if your dehumidifier is not running, run on BOOST/MAX.
2. The filter may be blocked. Remove, clean and refit.
3. After being installed all dehumidifiers will collect less moisture as initial excess moisture is removed. This is normal.
4. The dehumidifier may be positioned next to a heat source i.e. a radiator – reposition. If you continue to have problems see 'Requesting Service'.

Dehumidifier collects water but is not preventing condensation.

Check

1. Increase the fan speed to NORMAL if set to LOW/QUIET or try running on BOOST/MAX setting until condensation is controlled.
2. Outside temperatures have dropped suddenly. The dehumidifier may take a few days to get the problem back under control. If you continue to have problems please see 'Requesting Service'.

Red water container light remains on all the time and the dehumidifier is not running (Normal when the water container is full).

Check

1. Ensure the water container is not full. If you continue to have problems see 'Requesting Service'.

Requesting service

Before requesting a service call please read the section 'If your Ebac 2000 fails to operate correctly' and follow any advice this offers. If after following this advice you still experience problems please obtain the following information then contact our customer service desk on **0345 805 0000** (UK only)

1. Model and serial numbers (located on a rating plate behind the water container).
2. Your Name, Address, Postcode and Telephone Number.
3. Where your dehumidifier was purchased.
4. Date of purchase.
5. If applicable, any valid guarantee extension.

Technical and safety information

Min Operating Temperature	3°C
Max Operating Temperature	35°C
Fuse Rating	13A

- Do not use the machine if the power cord or cabinet are damaged.
- If the machine is damaged or in need of repair please contact Ebac.
- Do not poke objects into any grilles on the machine.
- This machine complies with EMC/RFI directive EN60555 (BS800).
- Ebac has a policy of constant development and, therefore, reserves the right to change specifications without prior notice.
- Do not use the machine without the permanent drainage bung in place on the back of the machine.
- Your dehumidifier should not be located in such a way that it will become an obstacle or hazard.
- Your dehumidifier should not be placed directly at the top of the stairs.
- To protect against electrical shocks, do not immerse unit, plug or cord in water, or spray with liquids.
- Ebac would always recommend plugging the appliance directly into the mains where possible however an extension lead may be used if required. The extension lead should be rated at the correct current for the appliance, fuse protected and electrically safe. The extension must not be overloaded. It is the responsibility of the user to ensure all of these conditions are met. Ebac wouldn't accept any responsibility for malfunction due to the use of an extension.
- Ensure Power supply is RCD protected at 30mA.
- Do not put the unit close to heat-generating devices or near flammable and dangerous materials.

WARNING! THIS PRODUCT CONTAINS R290 FLAMMABLE REFRIGERANT GAS. READ THE SPECIFIC WARNINGS GIVEN IN THIS MANUAL.

Warnings for using R290 refrigerant only

- The appliance contains R290 gas (A3 flammability classification).
- Do not use any means to accelerate the defrosting process.
- When cleaning the appliance this should be limited to the exterior panels and filter, following the guidelines within this manual. If the appliance is installed, operated or stored in a non-ventilated area, the room must be designed to prevent the accumulation of refrigerant leaks resulting in a risk of fire or explosion due to ignition of the refrigerant caused by electric heaters, stoves, or other sources of ignition.
- The appliance shall be stored in a well-ventilated area where the room size corresponds to the room area as specified for operation. (4 m²)
- The appliance shall be stored in a room without continuously operating ignition sources (for example: open flames, an operating gas appliance or an operating electric heater).
- Do not pierce or burn.
- Be aware that the refrigerants may not contain an odour.
- Appliance should be installed, operated and stored in a room with a floor area larger than 4 m².
- This appliance contains ≤90g of R290 refrigerant gas
- R290 is a refrigerant gas that complies with the European directives on the environment. Do not puncture any part of the refrigerant circuit.
- Compliance with national gas regulations shall be observed.
- Keep ventilation openings clear of obstruction.
- The appliance shall be stored so as to prevent mechanical damage from occurring.
- The appliance must be returned to the manufacturer Ebac for service or repair.







Caution: Risk of fire/flammable materials (Required for R290 units only)



IMPORTANT NOTICE: Read this manual carefully before installing or operating your new dehumidifier unit. Make sure to save this manual for future reference.

Explanation of symbols displayed on the unit:

	WARNING	This symbol shows that this appliance uses a flammable refrigerant. If the refrigerant is leaked and exposed to an external ignition source, there is a risk of fire.
	CAUTION	This symbol shows that the operation manual should be read carefully.
	CAUTION	This symbol shows that service personnel should be handling this equipment with reference to the installation manual.
	CAUTION	This symbol shows that information is available such as the operating manual or installation manual.

Accessories

Activated Carbon Filter Pack

Model no. DDA507

Contains 3 Activated Carbon Filters. Carbon filters are ideal for homes with pets or smokers as they remove odours from the air creating a more pleasant atmosphere. Note that this pack does not include the filter housing. The filter housing is available at an extra charge.

£15.99

Activated Carbon with Bactiguard Filter

Model no. DDA510

Contains 3 Activated Carbon with Bactiguard Filters. The Bactiguard's special formulation protects against germs and other airborne particles, killing all known bacteria and many fungi, ensuring a cleaner and healthier home. Note that this pack does not include the filter housing. The filter housing is available at an extra charge.

£17.99

Filter Housing

Model no. DDA108

The filter housing is specific to 2000 series dehumidifiers.

£4.99

Castor Kit

Model no. DDA268

Although lightweight and portable adding a castor kit to your dehumidifier makes it easier to move as it can be simply wheeled to a desired location.

£14.99

Drainage Kit

Model no. DDA110

The permanent drainage kit allows your dehumidifier to be used in unoccupied situations such as holiday homes, cellars etc without the need for the water container to be emptied

£9.99

Water Container

Model no. DDA200

Replacement water container in case anything should happen to the one supplied with your dehumidifier.

£19.99

Prices are subject to change. For the latest prices and special offers log on to

www.ebac.com

How to purchase

- Online

Log on to **www.ebac.com**

- Post

Complete and send the attached form to:
**Ebac Ltd, Ketton Way, Aycliffe Business Park, Newton
Aycliffe, County Durham, DL5 6SQ**

Accessory Details

Model No.	Accessory	Price	Total

Your Details

Title: Initials: Surname:

Address:

.....

.....

Postcode: Country:

Telephone: Mobile:

Email:

Your personal data will be used to process an accessory sale. Personal data is only used for marketing purposes with your explicit consent. You can use the warranty registration form to choose your optional preferences.

Payment Details

I enclose a cheque/postal order for

£ Payable to Ebac Ltd

+ £3.95 Postage and Packaging

Warranty Registration

Thank you for purchasing an Ebac Dehumidifier. Your dehumidifier is covered by a standard one year warranty from the date of purchase*. Registration of your unit ensures you can take full advantage of your warranty so don't hesitate and register today.

How to Register

There are two simple methods of registering your Ebac Dehumidifier Warranty

- **Online** Log on to **www.ebac.com/warranty**
- **Post** Complete and send the attached form to:
Ebac Ltd, Ketton Way, Aycliffe Business Park, Newton Aycliffe, County Durham, DL5 6SQ

Why Register?

There are three Reasons to register your Ebac Dehumidifier:

1. You can take full advantage of your Ebac warranty.
 - Fast repair service carried out by Ebac with the unit collected and delivered from and to the place most convenient to you.
 - All parts and labour included.
2. Your details are on record which enables us to help you much faster.
3. You can choose to sign up to our mailing list to receive the latest product information and up to date offers.

What's covered?

- Your dehumidifier will receive unlimited repairs for any mechanical failure within the period of the warranty.
- The costs associated with the collection, repair and return delivery of the dehumidifier.
- The warranty covers dehumidifiers in domestic use in Great Britain and Northern Ireland.
- Visit www.ebac.com/warranty for Terms and Conditions.

What's not covered?

- The warranty does not cover wear and tear to the unit exterior or air filter.
- You may be charged if no fault is found or the fault is due to user error.
- The warranty does not cover accidental damage.

*In the event of a breakdown please call our Customer Service Desk on **0345 805 0000***

*Your warranty is extended to a free *two* year warranty upon registration.
This warranty does not affect your statutory rights as a purchaser.

About You

Title: Initials: Surname:

Address:

.....

.....

Postcode:

Telephone: Mobile:

Email:

About Your Dehumidifier

Model No.* Serial No.*

*Located behind the water container or on the rear panel

Date of Purchase: / / Purchase Price (£):

Where did you buy your unit:

Warranty Required

Register my one year warranty and receive 2nd year free

Register and extend my warranty to five years and I have enclosed a cheque for £45 payable to Ebac Ltd

ONLY AVAILABLE IF APPLIED FOR WITHIN 30 DAYS FROM THE DATE OF PURCHASE

Choose your optional marketing preferences

You can choose to sign up to our mailing list to receive the latest product information and up to date offers. Please tick any of the below boxes you would like to be contacted about:

News and Information

To carry out Product Testing

Special Offers and Promotions

Helpful Advice and Articles

Reviews and Feedback

Product Surveys

To help Ebac with Product Development

None

Please select how you would like to receive your marketing preferences below:

Email

Phone

Post

Text Message



Ketton Way, Aycliffe Business Park, Newton
Aycliffe, County Durham, DL5 6SQ, United Kingdom

Tel: +44 (0)345 805 0000



Where you see this symbol on any of our electrical products or packaging, it indicates that the relevant electrical products should not be disposed of as general household waste in Europe. To ensure the correct waste treatment of the product, please dispose of it in accordance with any applicable local laws or requirements for disposal of electrical and electronic equipment in so doing, you will help to conserve natural resources and improve standards of environmental protection in treatment and disposal of electrical waste.

Ref: DDL410